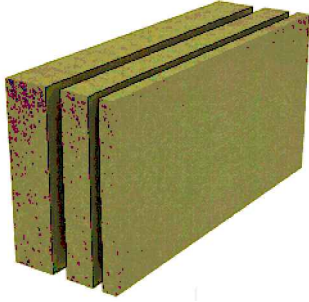




CMS50S WALLCLAD

Insulated Structurally Bonded
Brick Slip Cladding System

INSULATION



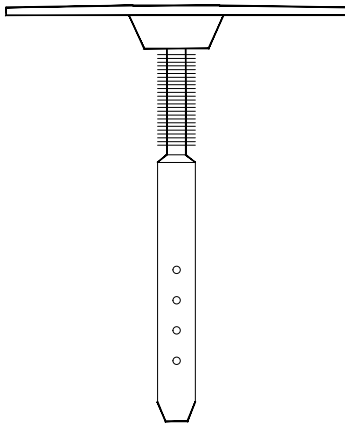
Description	Code
Terrawool Rainclad Plus 140 - 50mm	TWR140050
Terrawool Rainclad Plus 140 - 60mm	TWR140060
Terrawool Rainclad Plus 140 - 70mm	TWR140070
Terrawool Rainclad Plus 140 - 80mm	TWR140080
Terrawool Rainclad Plus 140 - 90mm	TWR140090
Terrawool Rainclad Plus 140 - 100mm	TWR1400100
Terrawool Rainclad Plus 140 - 110mm	TWR1400110
Terrawool Rainclad Plus 140 - 120mm	TWR1400120
Terrawool Rainclad Plus 140 - 130mm	TWR1400130
Terrawool Rainclad Plus 140 - 140mm	TWR1400140
Terrawool Rainclad Plus 140 - 150mm	TWR1400150

SHEET

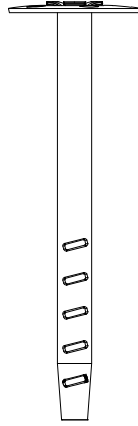
\\L1\05_Visual\01_CAD\01_Components\TW-BSMS (B).pdf

Description	Code
Cladmate Metal Sheet 445 x 1235 x 0.6 mm	TW-BSMS

FIXINGS



Insulation
Support



Metal Sheet
Support

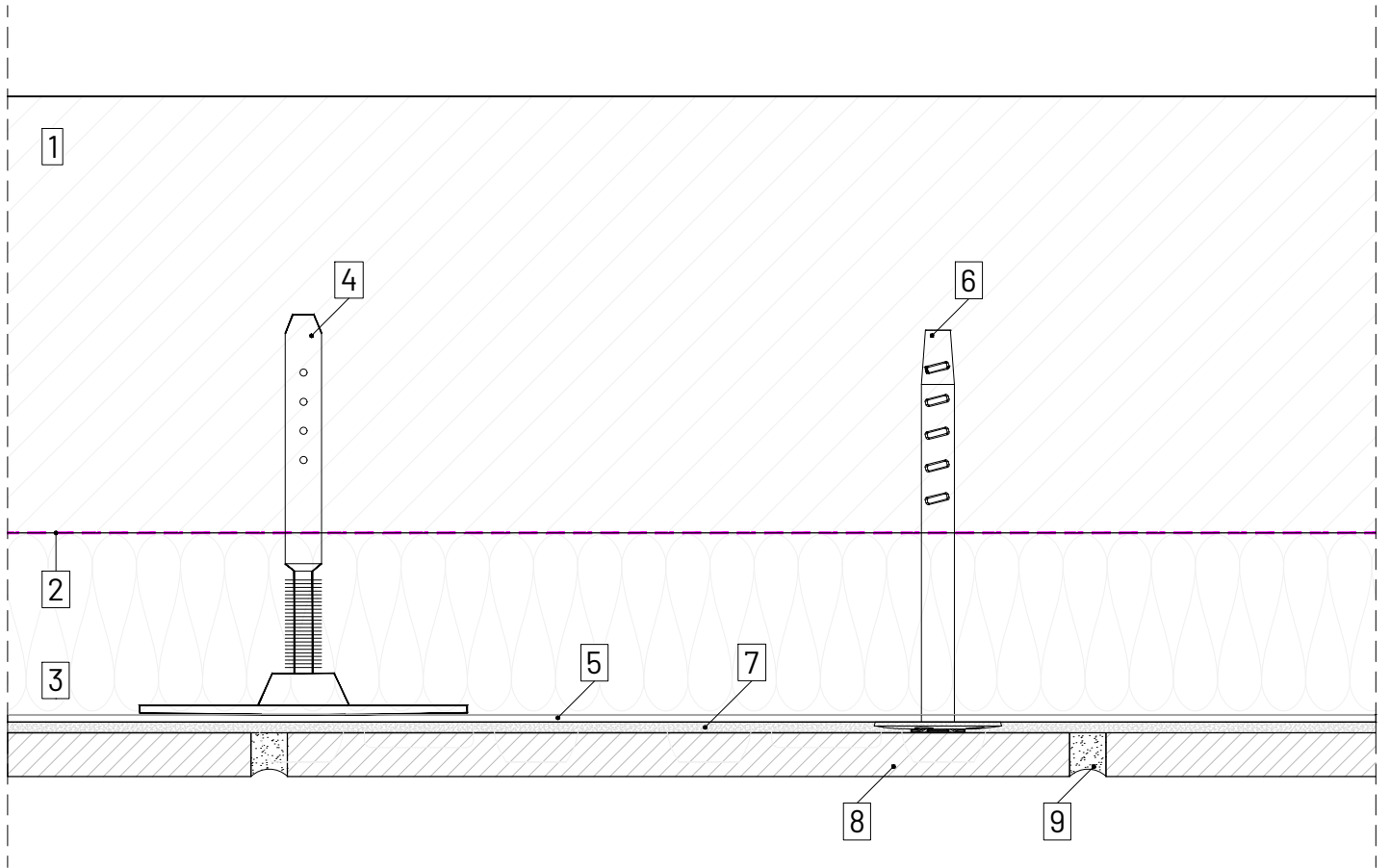
Description	Code
Anchor	DMH 8/35 E
Plastic Washer	SBH T 65/25
Metal Washer	HTV 40 RU
Metal Washer	DMT 35/6E
Fastener	TKR 4.8
Fastener	JT2-D6-5.5/6.3

*Please refer to our CMS50 Wallclad Fixing Guide for fastener advice.

SEALENTS & ADHESIVES

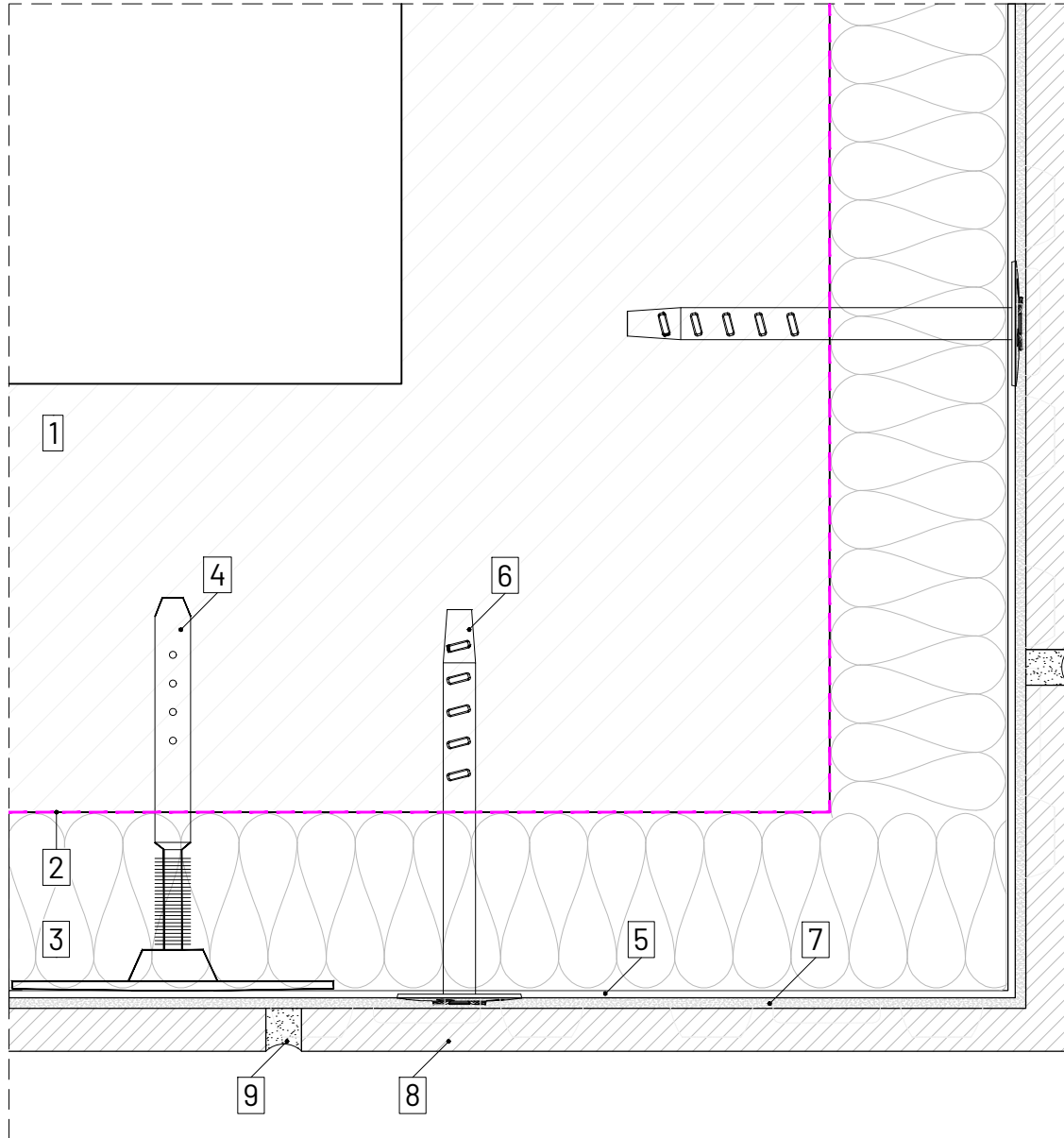


Description	Code
Sikaflex 545 <i>High initial grab STP assembly adhesive</i>	Sikaflex 545



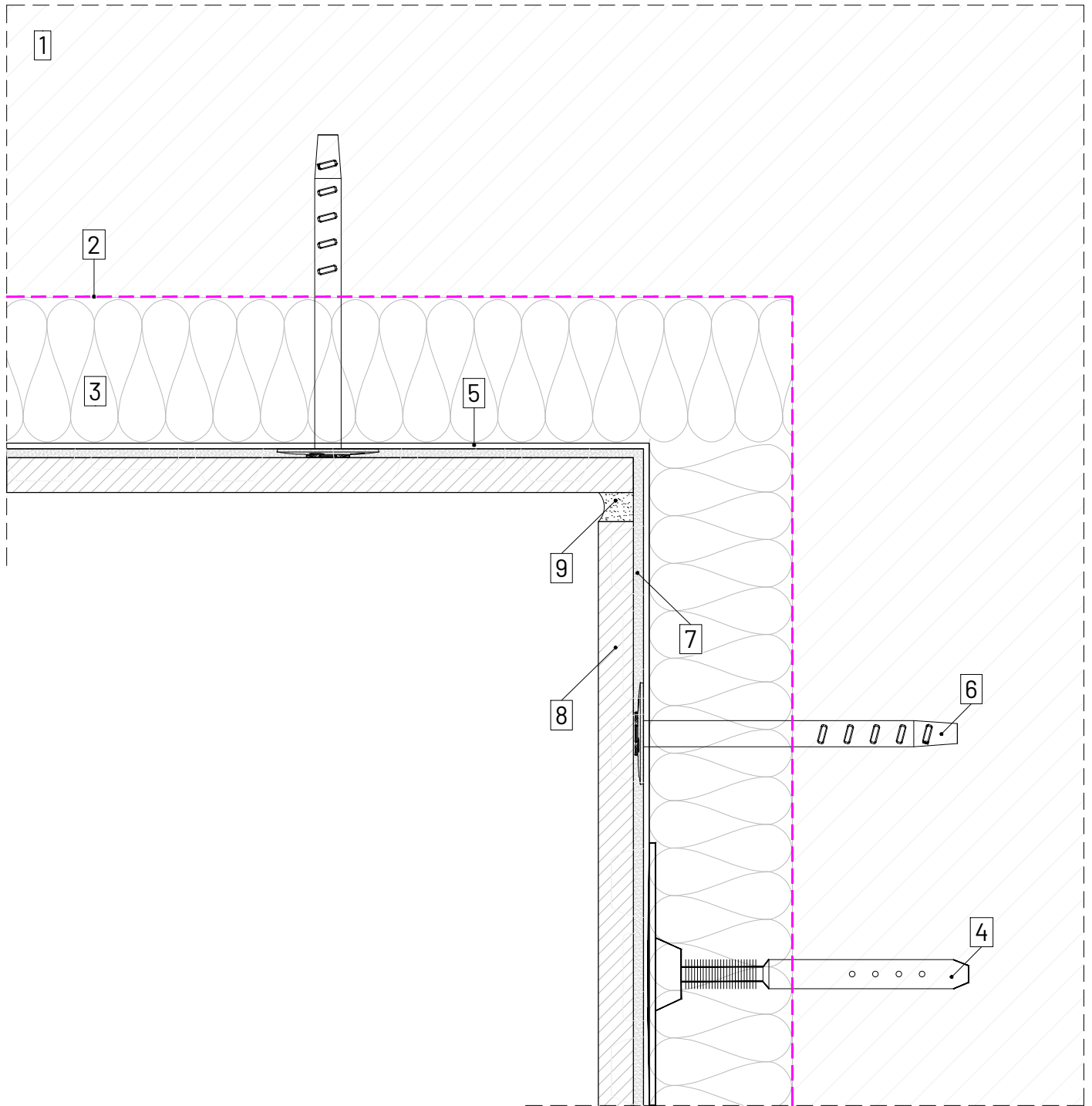
LEGEND

- 1.** SUBSTRATE **2.** BREATHER MEMBRANE by others **3.** TERRAWOOL RAINCLAD PLUS 140 **4.** INSULATION SUPPORT FIXINGS
- 5.** METAL SHEET **6.** METAL SHEET FIXINGS **7.** BRICK SLIP ADHESIVE **8.** BRICK SLIP **9.** POINTING MORTAR **10.** STARTER PROFILE
- 11.** FIRE RATED SILICONE JOINT SEALANT by others **12.** JOINT SEALANT



LEGEND

- 1.** SUBSTRATE **2.** BREATHER MEMBRANE by others **3.** TERRAWOOL RAINCLAD PLUS 140 **4.** INSULATION SUPPORT FIXINGS
- 5.** METAL SHEET **6.** METAL SHEET FIXINGS **7.** BRICK SLIP ADHESIVE **8.** BRICK SLIP **9.** POINTING MORTAR **10.** STARTER PROFILE
- 11.** FIRE RATED SILICONE JOINT SEALANT by others **12.** JOINT SEALANT



LEGEND

1. SUBSTRATE 2. BREATHER MEMBRANE by others 3. TERRAWOOL RAINCLAD PLUS 140 4. INSULATION SUPPORT FIXINGS
 5. METAL SHEET 6. METAL SHEET FIXINGS 7. BRICK SLIP ADHESIVE 8. BRICK SLIP 9. POINTING MORTAR 10. STARTER PROFILE
 11. FIRE RATED SILICONE JOINT SEALANT by others 12. JOINT SEALANT



www.cladmate.co.uk | technical@cladmate.co.uk

system title:
**INSULATED STRUCTURALLY BONDED
 BRICK SLIP CLADDING SYSTEM**

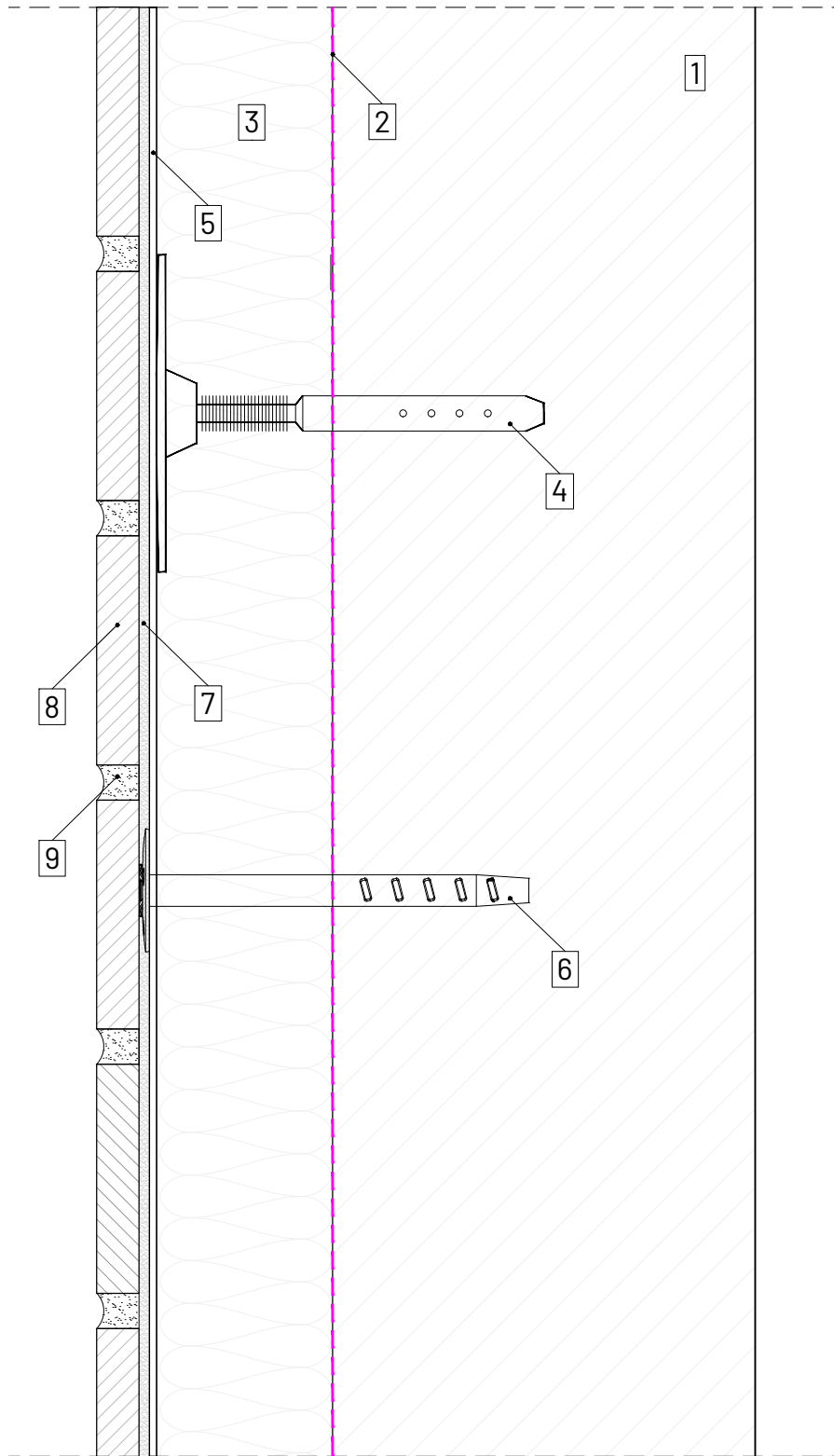
drawing title:
INTERNAL CORNER DETAIL

date:
 May 2022

scale:
 NTS
 @A4

system no:
 CMS-50S

drawing no: 03
 rev: X



LEGEND

- 1. SUBSTRATE 2. BREATHER MEMBRANE by others 3. TERRAWOOL RAINCLAD PLUS 140 4. INSULATION SUPPORT FIXINGS
- 5. METAL SHEET 6. METAL SHEET FIXINGS 7. BRICK SLIP ADHESIVE 8. BRICK SLIP 9. POINTING MORTAR 10. STARTER PROFILE
- 11. FIRE RATED SILICONE JOINT SEALANT by others 12. JOINT SEALANT



www.cladmater.co.uk | technical@cladmater.co.uk

system title:
**INSULATED STRUCTURALLY BONDED
 BRICK SLIP CLADDING SYSTEM**

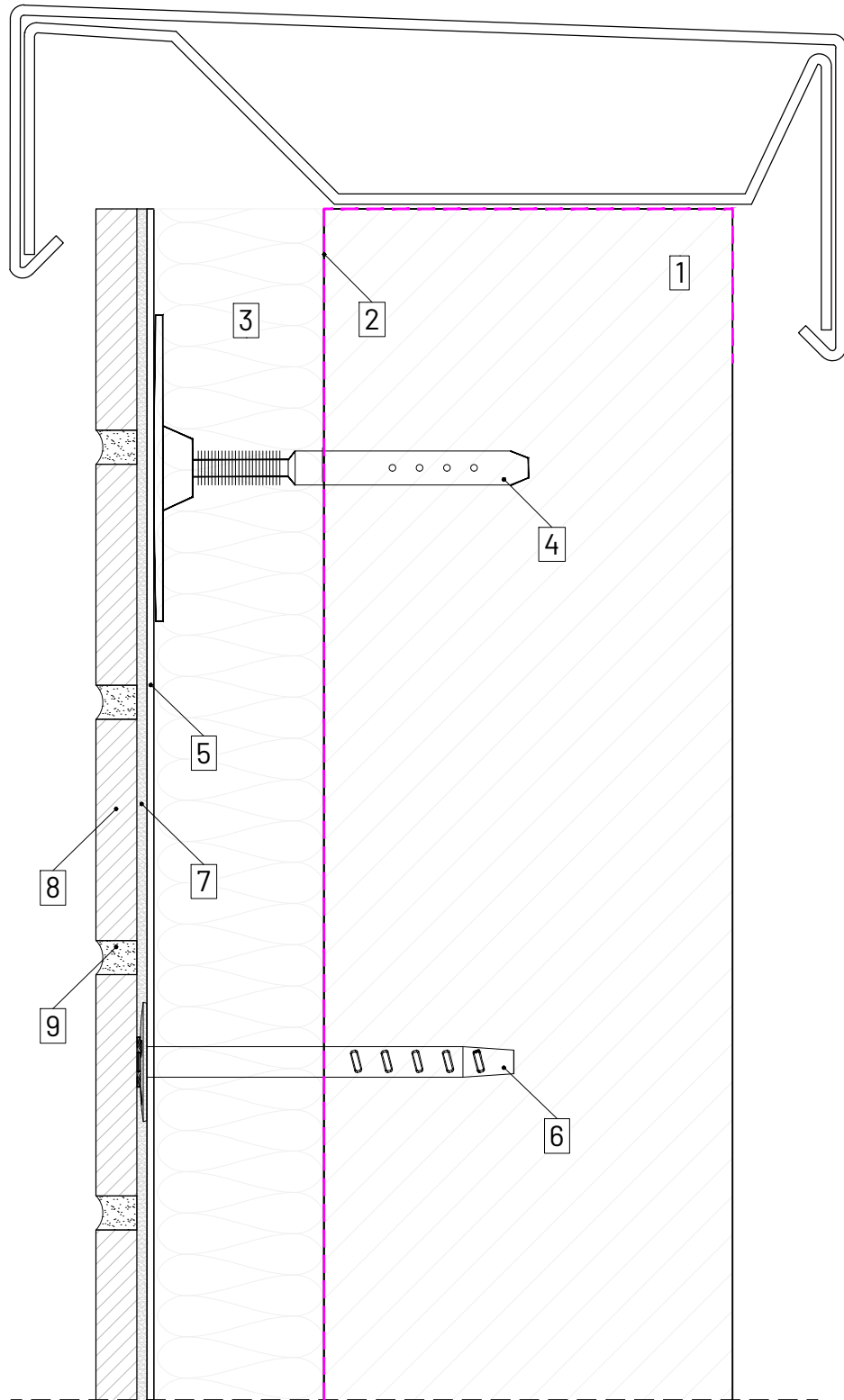
drawing title:
VERTICAL SECTION DETAIL

date:
 May 2022

scale:
 NTS
 @A4

system no:
 CMS-50S

drawing no: 04 rev: X



LEGEND

- 1.** SUBSTRATE **2.** BREATHER MEMBRANE by others **3.** TERRAWOOL RAINCLAD PLUS 140 **4.** INSULATION SUPPORT FIXINGS
- 5.** METAL SHEET **6.** METAL SHEET FIXINGS **7.** BRICK SLIP ADHESIVE **8.** BRICK SLIP **9.** POINTING MORTAR **10.** STARTER PROFILE
- 11.** FIRE RATED SILICONE JOINT SEALANT by others **12.** JOINT SEALANT



www.cladmate.co.uk | technical@cladmate.co.uk

system title:
**INSULATED STRUCTURALLY BONDED
 BRICK SLIP CLADDING SYSTEM**

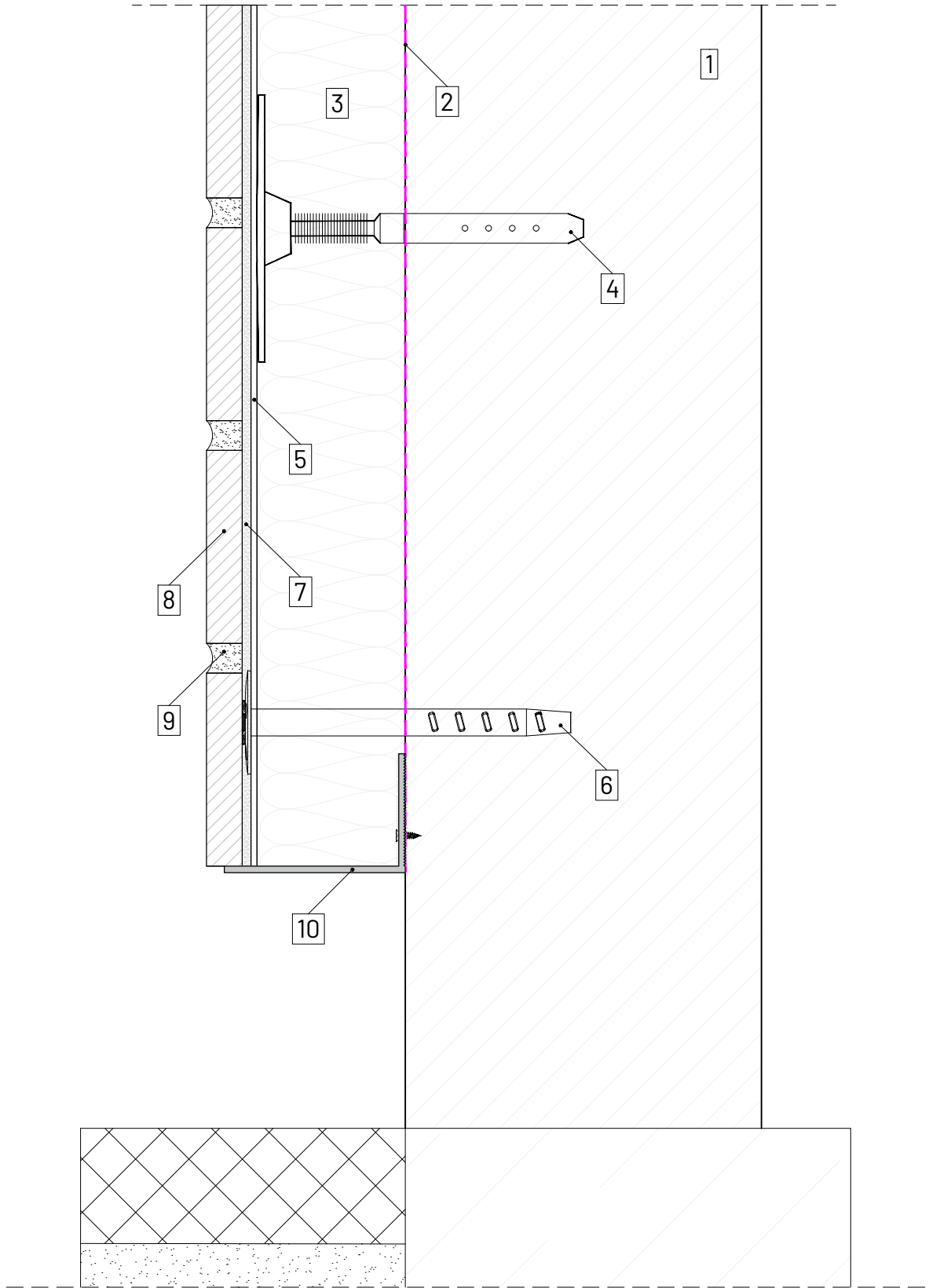
drawing title:
PARAPET DETAIL

date:
May 2022

scale:
**NTS
 @A4**

system no:
CMS-50S

drawing no: **05** rev: **X**

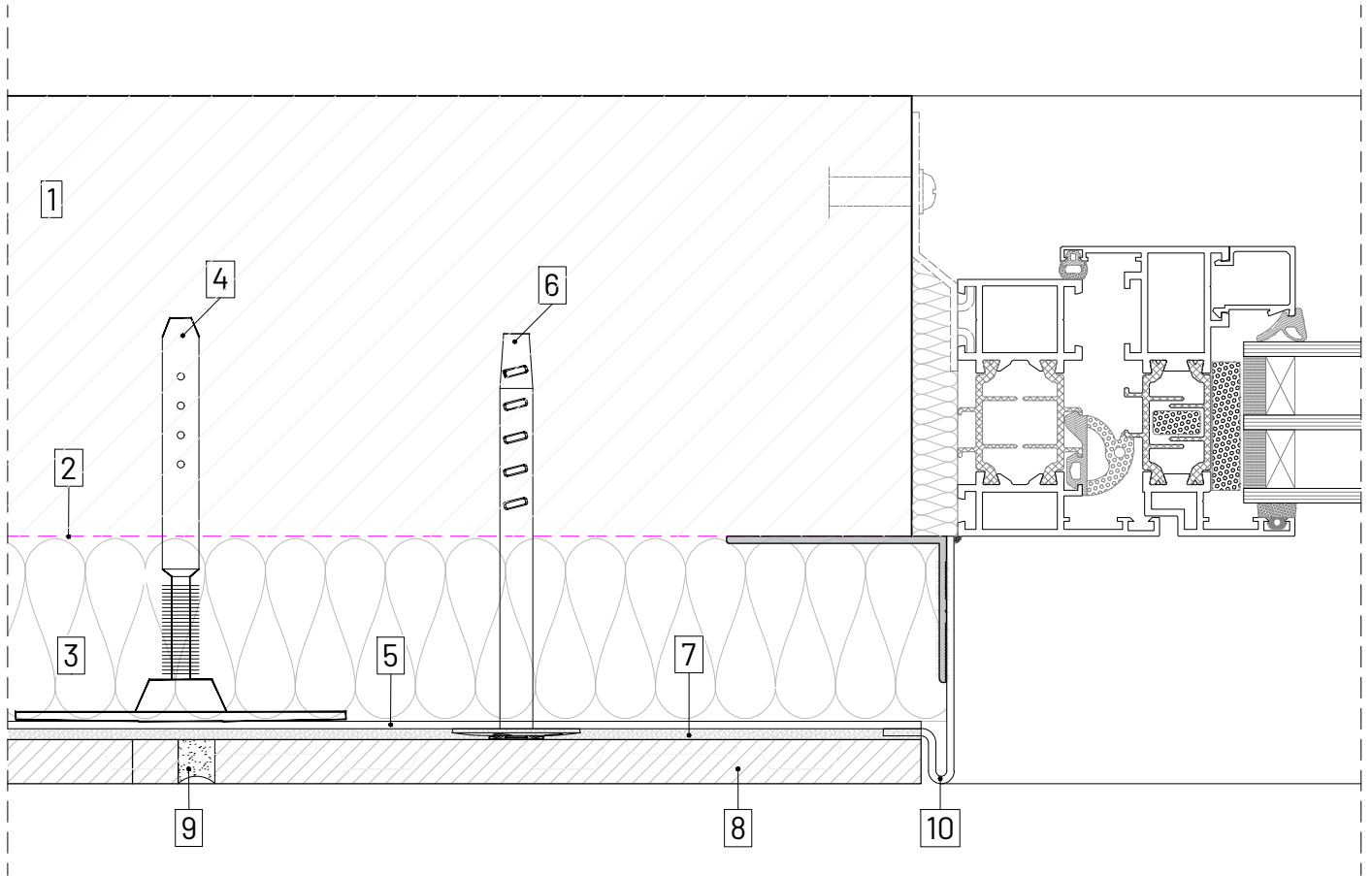


LEGEND

- 1.** SUBSTRATE **2.** BREATHER MEMBRANE by others **3.** TERRAWOOL RAINCLAD PLUS 140 **4.** INSULATION SUPPORT FIXINGS
- 5.** METAL SHEET **6.** METAL SHEET FIXINGS **7.** BRICK SLIP ADHESIVE **8.** BRICK SLIP **9.** POINTING MORTAR **10.** STARTER PROFILE
- 11.** FIRE RATED SILICONE JOINT SEALANT by others **12.** JOINT SEALANT

CLADMATE
Facade Systems
www.cladmater.co.uk | technical@cladmater.co.uk

system title: INSULATED STRUCTURALLY BONDED BRICK SLIP CLADDING SYSTEM	date: May 2022	scale: NTS @A4
drawing title: BASE DETAIL	system no: CMS-50S	drawing no: rev: 06 X



LEGEND

- 1.** SUBSTRATE **2.** BREATHER MEMBRANE by others **3.** TERRAWOOL RAINCLAD PLUS 140 **4.** INSULATION SUPPORT FIXINGS
5. METAL SHEET **6.** METAL SHEET FIXINGS **7.** BRICK SLIP ADHESIVE **8.** BRICK SLIP **9.** POINTING MORTAR **10.** STARTER PROFILE
11. FIRE RATED SILICONE JOINT SEALANT by others **12.** JOINT SEALANT



www.cladmate.co.uk | technical@cladmate.co.uk

system title:

INSULATED STRUCTURALLY BONDED
BRICK SLIP CLADDING SYSTEM

drawing title:

WINDOW REVEAL DETAIL I

date:

May 2022

scale:

NTS
@A4

system no:

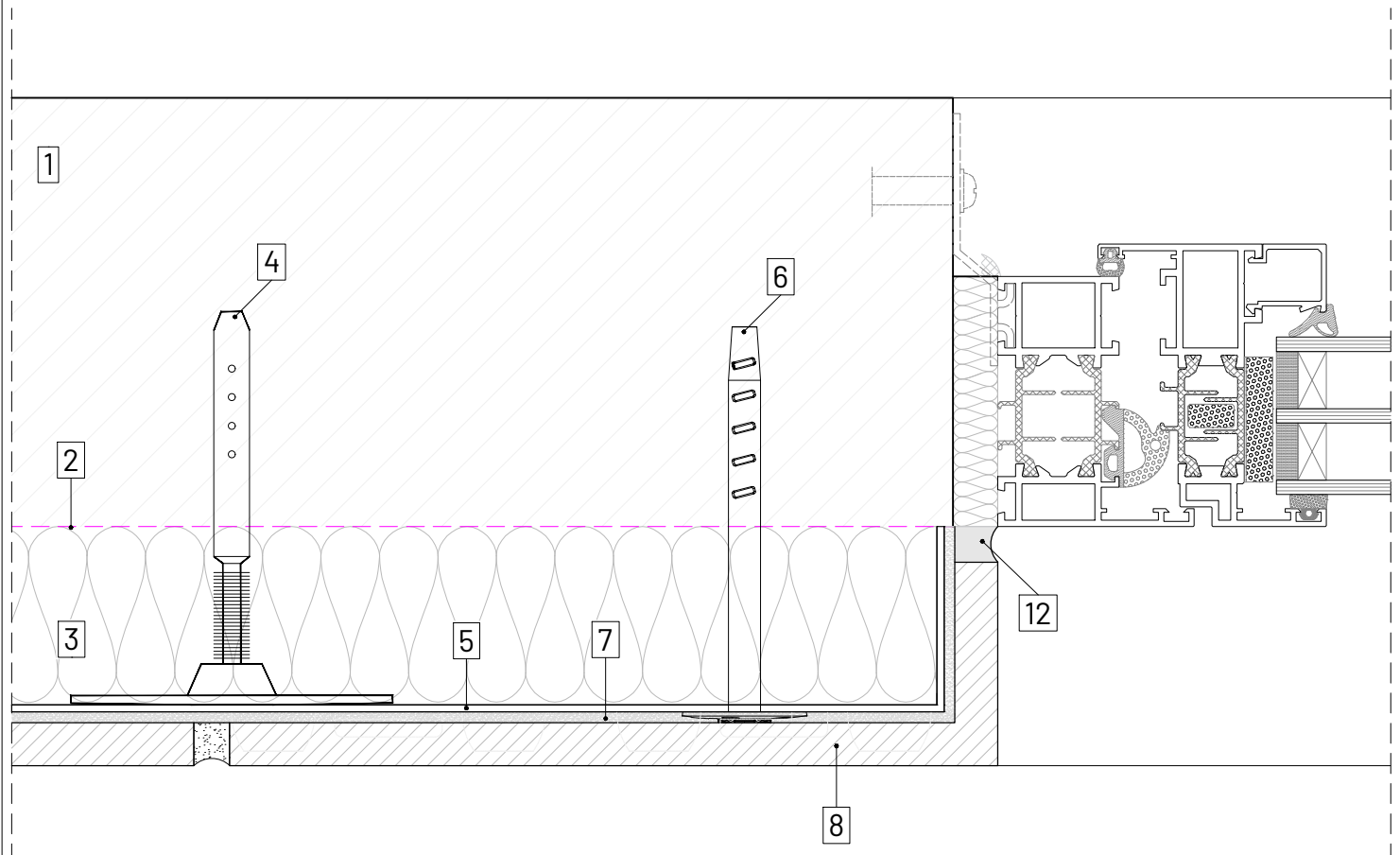
CMS-50S

drawing no:

07A

rev:

X



LEGEND

- 1.** SUBSTRATE **2.** BREATHER MEMBRANE by others **3.** TERRAWOOL RAINCLAD PLUS 140 **4.** INSULATION SUPPORT FIXINGS
- 5.** METAL SHEET **6.** METAL SHEET FIXINGS **7.** BRICK SLIP ADHESIVE **8.** BRICK SLIP **9.** POINTING MORTAR **10.** STARTER PROFILE
- 11.** FIRE RATED SILICONE JOINT SEALANT by others **12.** JOINT SEALANT



www.cladmate.co.uk | technical@cladmate.co.uk

system title:
**INSULATED STRUCTURALLY BONDED
 BRICK SLIP CLADDING SYSTEM**

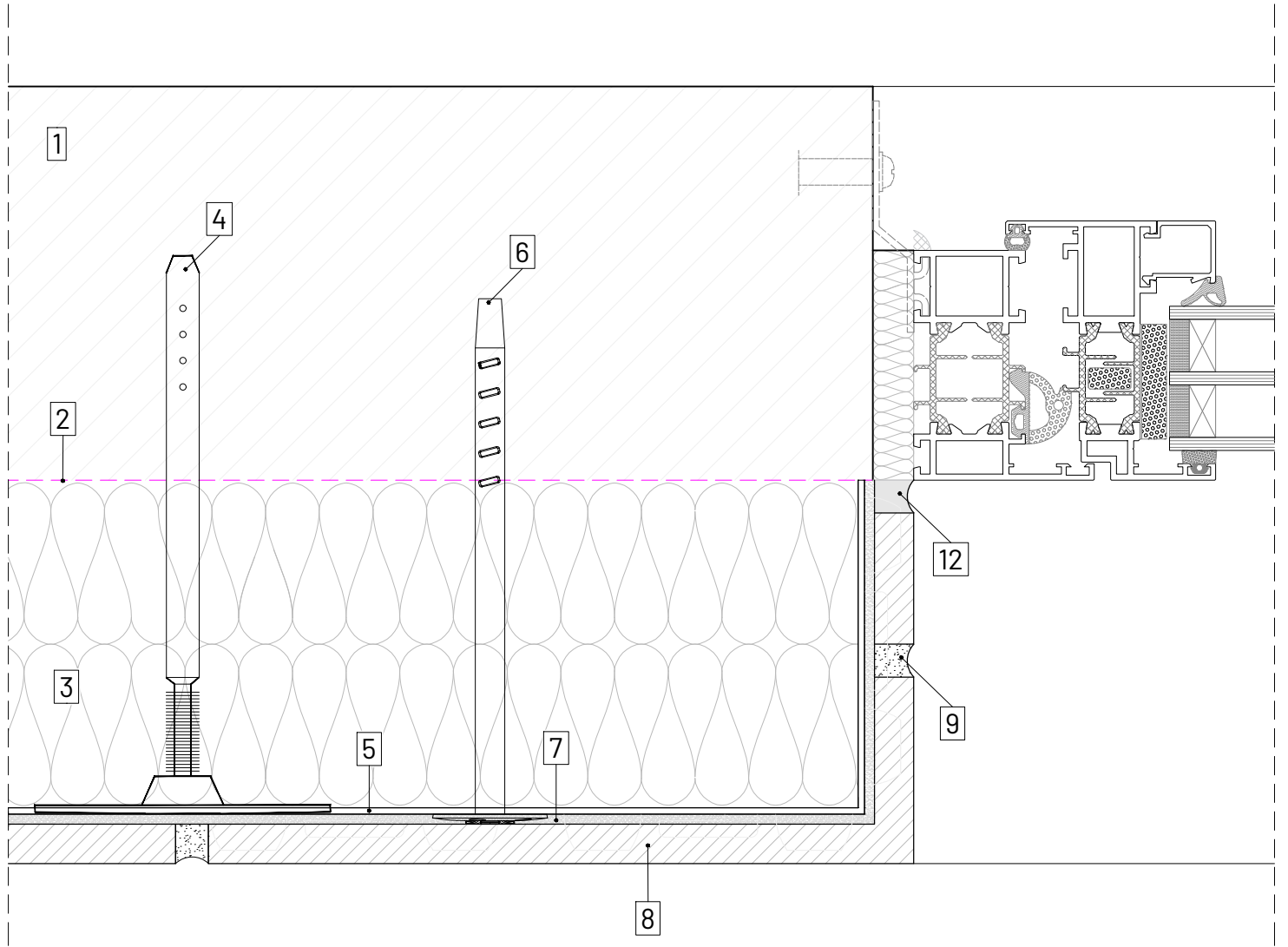
drawing title:
WINDOW REVEAL DETAIL II

date:
May 2022

scale:
**NTS
 @A4**

system no:
CMS-50S

drawing no: rev:
07B X



LEGEND

1. SUBSTRATE 2. BREATHER MEMBRANE by others 3. TERRAWOOL RAINCLAD PLUS 140 4. INSULATION SUPPORT FIXINGS
 5. METAL SHEET 6. METAL SHEET FIXINGS 7. BRICK SLIP ADHESIVE 8. BRICK SLIP 9. POINTING MORTAR 10. STARTER PROFILE
 11. FIRE RATED SILICONE JOINT SEALANT by others 12. JOINT SEALANT



www.cladmate.co.uk | technical@cladmate.co.uk

system title:
**INSULATED STRUCTURALLY BONDED
 BRICK SLIP CLADDING SYSTEM**

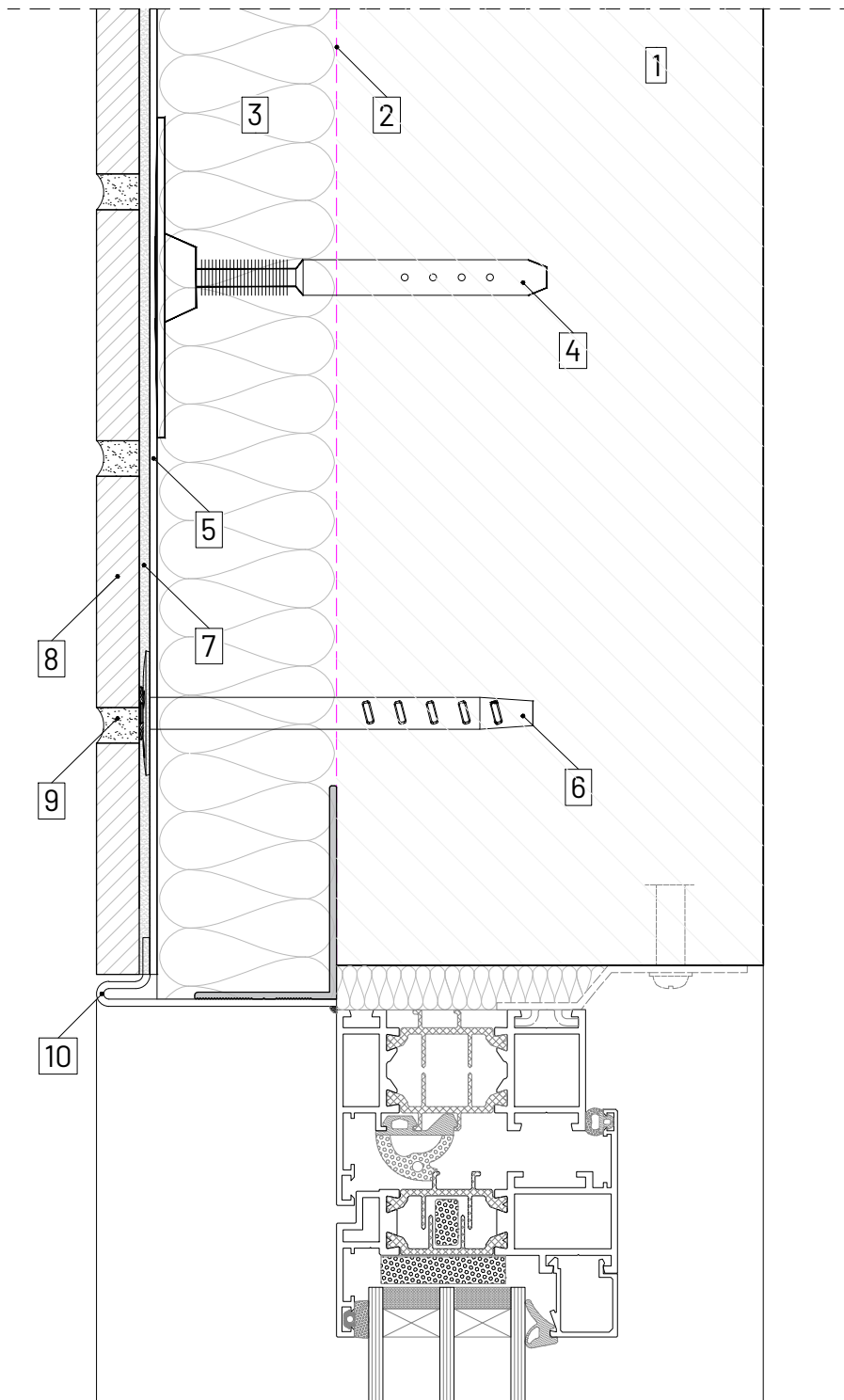
drawing title:
WINDOW REVEAL DETAIL III

date:
MAY 2022

scale:
 NTS
 @A4

system no:
CMS-50S

drawing no: rev:
07C X



LEGEND

- 1.** SUBSTRATE **2.** BREATHER MEMBRANE by others **3.** TERRAWOOL RAINCLAD PLUS 140 **4.** INSULATION SUPPORT FIXINGS
- 5.** METAL SHEET **6.** METAL SHEET FIXINGS **7.** BRICK SLIP ADHESIVE **8.** BRICK SLIP **9.** POINTING MORTAR **10.** STARTER PROFILE
- 11.** FIRE RATED SILICONE JOINT SEALANT by others **12.** JOINT SEALANT



www.cladmate.co.uk | technical@cladmate.co.uk

system title:

**INSULATED STRUCTURALLY BONDED
BRICK SLIP CLADDING SYSTEM**

drawing title:

WINDOW HEAD DETAIL

date:

May 2022

scale:

NTS
@A4

system no:

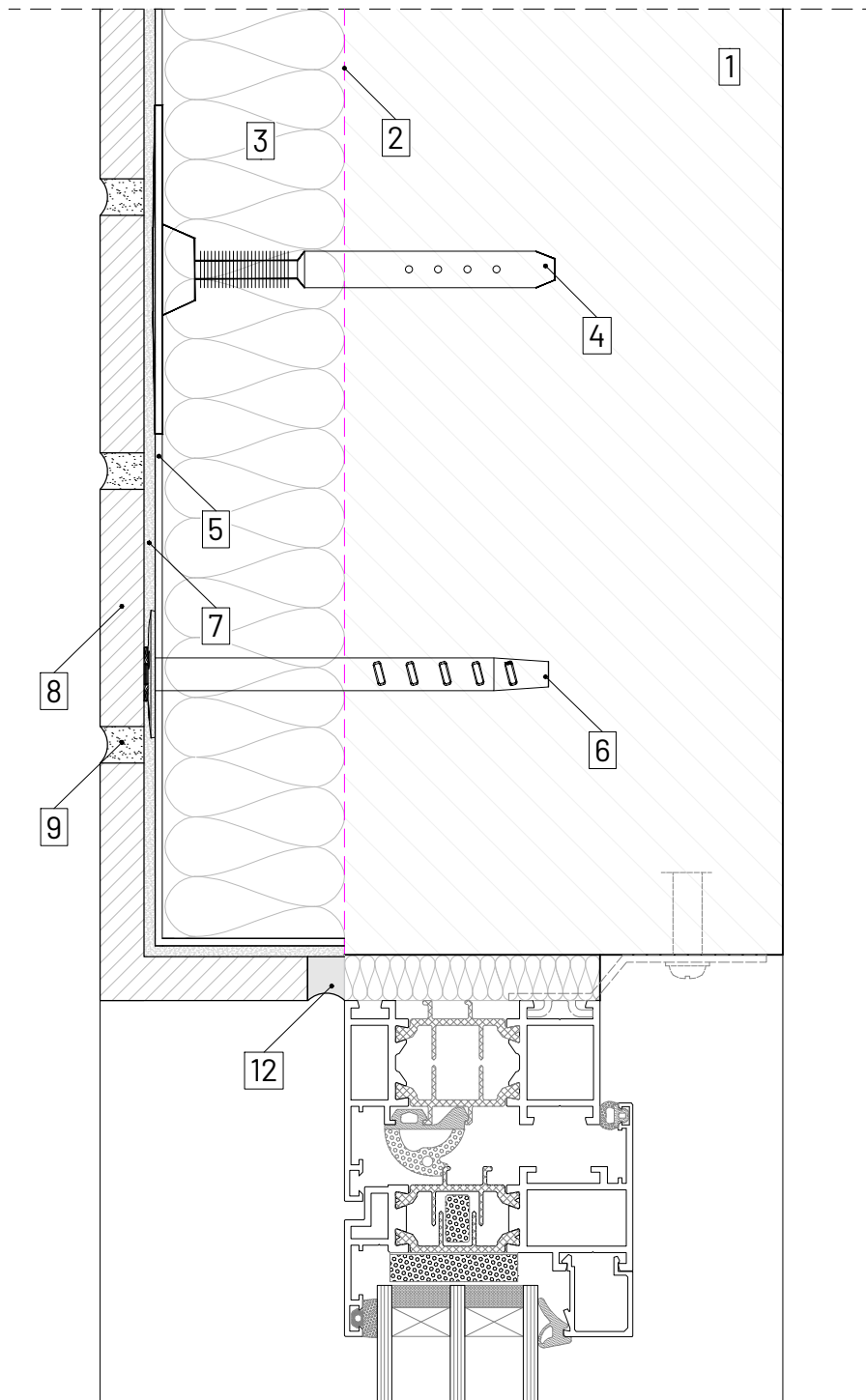
CMS-50S

drawing no:

08A

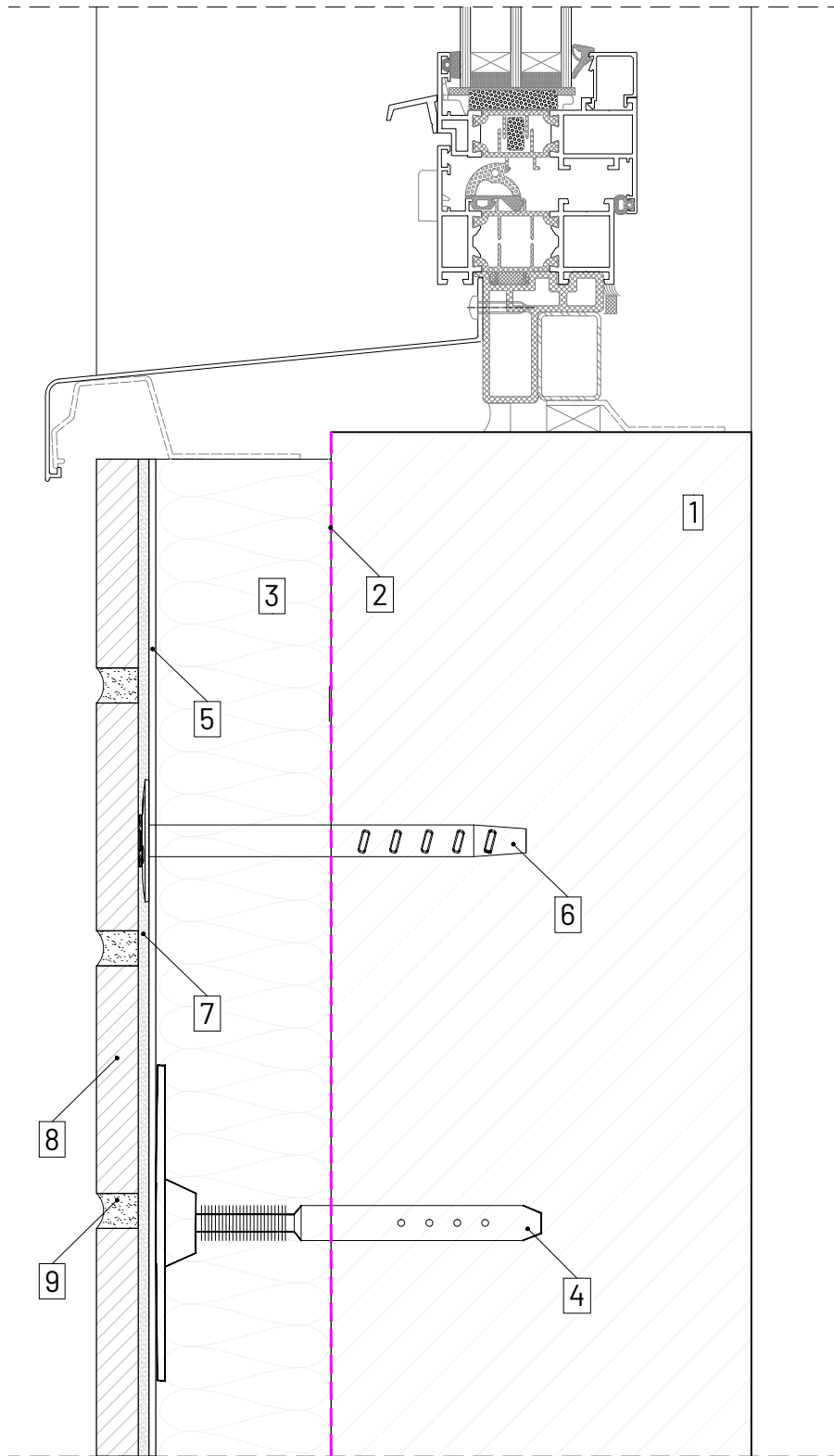
rev:

X



LEGEND

- 1.** SUBSTRATE **2.** BREATHER MEMBRANE by others **3.** TERRAWOOL RAINCLAD PLUS 140 **4.** INSULATION SUPPORT FIXINGS
- 5.** METAL SHEET **6.** METAL SHEET FIXINGS **7.** BRICK SLIP ADHESIVE **8.** BRICK SLIP **9.** POINTING MORTAR **10.** STARTER PROFILE
- 11.** FIRE RATED SILICONE JOINT SEALANT by others **12.** JOINT SEALANT



LEGEND

- 1.** SUBSTRATE **2.** BREATHER MEMBRANE by others **3.** TERRAWOOL RAINCLAD PLUS 140 **4.** INSULATION SUPPORT FIXINGS
- 5.** METAL SHEET **6.** METAL SHEET FIXINGS **7.** BRICK SLIP ADHESIVE **8.** BRICK SLIP **9.** POINTING MORTAR **10.** STARTER PROFILE
- 11.** FIRE RATED SILICONE JOINT SEALANT by others **12.** JOINT SEALANT



www.cladmate.co.uk | technical@cladmate.co.uk

system title:

**INSULATED STRUCTURALLY BONDED
BRICK SLIP CLADDING SYSTEM**

drawing title:

WINDOW CILL DETAIL

date:

May 2022

scale:

NTS
@A4

system no:

CMS-50S

drawing no:

09

rev:

X